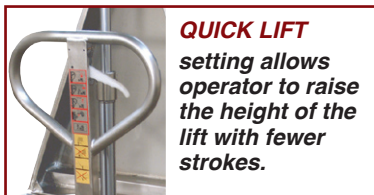


STAINLESS STEEL



WESCO® STAINLESS STEEL MANUAL HIGH LIFTS

- 1 year pump warranty.
- 304 stainless steel construction. Forks are 316 stainless steel.
- Nylon 3" load (WHL-2) and 8" nylon steering (WHL-1) wheels.
- 180° steering arc.
- Loop handles with inside hand control.
- Closed pallets must be placed on top of forks.
- 6 1/2" wide forks.
- Overload bypass.
- Two stage pump: number of strokes to full height (unloaded):
Standard - 69
Quick Lift - 28.



QUICK LIFT
setting allows operator to raise the height of the lift with fewer strokes.



Stainless Steel Manual High Lift
Part #272859 / Model #SSTHL27M



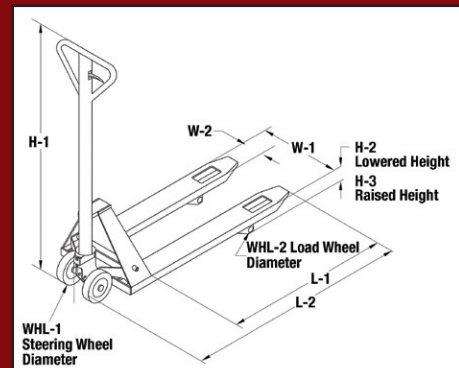
Stainless Steel Electric High Lift
Part #272860 / Model #SSTHL27E

WESCO® STAINLESS STEEL ELECTRIC HIGH LIFTS

- 1 year pump warranty.
- 304 stainless steel construction. Forks are 316 stainless steel.
- Nylon 3" load (WHL-2) and 8" nylon steering (WHL-1) wheels.
- 12 volt battery charger included.
- 10-12 second lift time unloaded.
- Overload bypass.
- 180° steering radius.
- 6 1/2" wide forks.



Part # Model #	272859 SSTHL27M	272860 SSTHL27E
Capacity	2,200 lbs	2,200 lbs
W-1 x L-1	27" x 46"	27" x 46"
W-2	6.5"	6.5"
L-2	61"	61"
WHL-1 / WHL-2	8" / 3"	8" / 3"
H-1 / H-2 / H-3	48" / 3.3" / 31.5"	48" / 3.3" / 31.5"
Weight	278 lbs	329 lbs



Wesco's new line of stainless steel products have been manufactured to be used in food and beverage, pharmaceutical, medical and clean room applications.

WESCO® 304 STAINLESS STEEL HYDRAULIC PEDALIFT

- 1 Year Parts Warranty.
- Wesco Manufactured Hydraulic Jack - Over 35 Years of Proven Quality.
- 4-wheeled model.
- 304 stainless steel construction including hydraulic pump body, lift piston, and wheel lock. Foot operated hydraulic pump raises platform, foot release lowers platform and controls lowering speed.
- Platform sits 5.75" above floor.
- Wheel lock standard.
- 60.5" overall height.
- 8" x 2" polyurethane tread on polypropylene hub, non-marking wheels with 440 stainless sealed 3/4" precision ball bearing.
- 304 stainless swivel casters with plain bore 3.5" hard rubber wheels.
- 60.5" overall height.

4-Wheeled Pedalift
Part #260186
Model #SSDPL-54-2222



Part #	260186	260197
Model #	SSDPL-54-2222	SSDPL-54-F
Description	304 Stainless	304 Stainless
Capacity	750 lbs	750 lbs
Platform or Fork W x L	Platform 22" x 22"	Fork 3" x 18"
Lift Height	54"	54"
Load Center	10"	10"
Lowered Height	5.75"	5.75"
Weight	175 lbs	181 lbs



4-Wheeled Pedalift
Part #260197
Model #SSDPL-54-F

WESCO® 304 STAINLESS STEEL HYDRAULIC DRUM LIFTER

- 1 Year Parts Warranty.
- Wesco Manufactured Hydraulic Jack - Over 35 Years of Proven Quality.
- Lifts, transports, and places drums.
- 304 stainless steel manual (hand tightened) drum clamp.
- 304 stainless steel construction including hydraulic pump body, lift piston, and floor lock. Foot operated hydraulic pump raises platform, foot release lowers platform and controls lowering speed.
- (2) 5" x 2" black phenolic wheels with 304 stainless roller bearing.
- (2) 304 stainless swivel casters with 5" x 2" black phenolic wheels, 304 stainless bearings, NSF certified washdown casters.
- Handles most 30, 55 or 85 gallon drums - Steel, Fiber and Poly.
- Works with most drums with locking rings.
- Lift range: 26"-73" at lifting clamp.
- Single position outriggers - non telescoping.



304 Stainless Steel
Drum Handler
Part #240240 / Model #SSDH



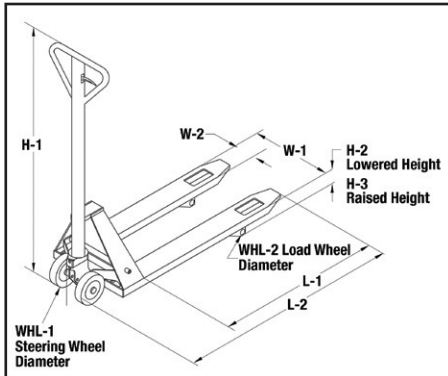
Part #	240240
Model #	SSDH
Description	304 Stainless
Rise/Stroke	1"
Capacity	800 lbs
Weight	207 lbs

The benefits of our stainless steel products include:

- corrosion resistance
- wash down applications.

WESCO® 304 STAINLESS STEEL PALLET TRUCK

- 1 year pump warranty.
- 304 stainless construction.
- For use in food industry and areas where water or other corrosive solutions are used.
- 6 1/4" wide forks.
- 7" nylon steering wheels.
- 3" nylon load wheels.



Stainless Steel Pallet Truck
Part #272152 / Model #SSPT

Part #	272152
Model #	SSPT
Capacity	4,400 lbs
W-1 x L-1	27" x 48"
W-2	6.25"
L-2	63"
WHL-1 / WHL-2	7" / 3"
H-1 / H-2 / H-3	48" / 3" / 8"
Weight	172 lbs

WESCO® 304 STAINLESS STEEL FOLDING HANDLE TRUCK

- Fold down handle for easy storage.
- Caster: sealed bearing with stainless rig.
- TPR rubber non-marking caster wheels.
- Vinyl perimeter bumper.
- Boxed and UPS shippable.
- 304 stainless steel construction.



Stainless Steel Folding Handle Truck
Part #270458



Part #	270457	270458
Model #	Deluxe	Deluxe
Capacity	440 lbs	770 lbs
Platform Size	19" x 29"	22.5" x 34"
Caster Size	2 swivel/2 rigid	2 swivel/2 rigid
	4" Stainless Rigs	4" Stainless Rigs
Handle Height	34.5"	34"
Weight	26 lbs	37 lbs

WESCO® 304 STAINLESS STEEL DRUM/HAND TRUCK

- Utility of a hand truck & drum truck.
- Chime hook works with 55 and 30 gallon drums.
- Curved frame holds 5-gallon pails and kegs.
- With noseplate resting flat on floor, 18" to center of lowered chime hook.
- Noseplate 7.812" D x 14" W.
- 8" x 2" polyurethane tread on polypropylene hub, non-marking wheels with 440 stainless sealed 3/4" precision ball bearing.
- 304 stainless steel construction.
- 440 stainless, 3/4" wheel bearing.



Stainless Steel Drum / Hand Truck
Part #210352 / Model #156DH-PP8-SS



WESCO® 304 STAINLESS STEEL HAND TRUCK

- Swept back continuous handle with curved back design.
- Very popular frame that allows one or two hand control.
- Four horizontal cross straps and vertical center strap provide support for small packages.
- 8" x 2" polyurethane tread on polypropylene hub, non-marking wheels with 440 stainless sealed 3/4" precision ball bearing.
- 440 stainless, 3/4" wheel bearing.
- 304 stainless steel construction.



Stainless Steel Hand Truck
Part #210351 / Model #156-PP8-SS

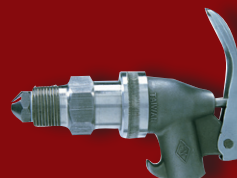


Part #	210351	210352
Model #	156-PP8-SS	156DH-PP8-SS
Capacity	600 lbs	600 lbs
Wheel Type	8" non-marking	8" non-marking
Weight	33 lbs	33.5 lbs

WESCO® HEAVY DUTY 304 STAINLESS STEEL FAUCET

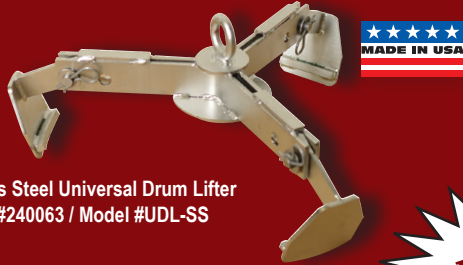
- Adjustable shank designed to easily adjust to proper drain position after installing in drum.
- .75" NPT connection.
- PTFE gasket.
- 1.50 lbs.

Part# 272038
Internal flame arrestor.
FM APPROVED for use with oils (under 30 SAE) and non flammables, compatible with stainless steel.



WESCO® 304 STAINLESS STEEL UNIVERSAL DRUM LIFTER

- **304 stainless steel.**
- Design allows for the loading of drums into overpacks with use of hoist.
- Works on open and closed head drums.
- For use with standard steel or poly drums with at least a 3/16" chime.
- Lifting arms are adjustable to work with most 55 or 30 gallon drums.
- Three-point contact of the lifting arms prevents or minimizes deformation of the drum and provides more secure lifting.
- 1,000 lb. capacity.
- Weight 21 lbs.



Stainless Steel Universal Drum Lifter
Part #240063 / Model #UDL-SS

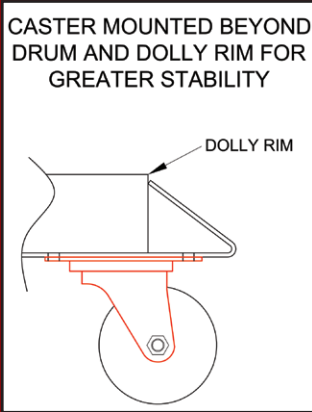


WESCO® 304 STAINLESS STEEL DRUM DOLLIES

- **Wesco's Stability Advantage.**
By design, Wesco casters are mounted past the dolly and drum rim. Our casters are mounted further apart than standard designs with casters completely underneath the drum and closer together. The further the casters are apart the greater the stability.
 - Welded **304 stainless steel** dolly construction with reinforced outriggers.
 - **304 stainless** dollies are ideal for clean room, pharmaceutical, food, and wash down applications.
 - Models available for 30, 55, and 85 gallon drums.
 - Three caster set options:
 - HRZ: zinc plated swivel rig with 3" hard rubber wheel & zinc plated hardware.
 - *HRSS: **304 stainless steel** swivel rig with 3" hard rubber wheel and stainless hardware.
 - *PPSS: **304 stainless steel** swivel rig with 3" white polypropylene wheel and stainless hardware.
- *Suitable for wash down applications.



Stainless Steel Drum Dolly
Part #240197 / Model #SS5-PPSS
All stainless rigs with 3" polypropylene wheels



Part #	240192	240193	240194
Model #	SS3-HRZ	SS3-HRSS	SS3-PPSS
Capacity	900 lbs	900 lbs	1,000 lbs
I.D.	19"	19"	19"
Drum Size	30 gal	30 gal	30 gal
Caster Rig	Zinc plate 4 swivel	Stainless 4 swivel	Stainless 4 swivel
3" Caster Wheel	Hard Rubber	Hard Rubber	White Polypropylene
Dolly Material	304 Stainless	304 Stainless	304 Stainless
Weight	20 lbs	20 lbs	18 lbs

Part #	240195	240196	240197	240198	240199	240200
Model #	SS5-HRZ	SS5-HRSS	SS5-PPSS	SS8-HRZ	SS8-HRSS	SS8-PPSS
Capacity	900 lbs	900 lbs	1,000 lbs	900 lbs	900 lbs	1,000 lbs
I.D.	24"	24"	24"	27"	27"	27"
Drum Size	55 gal	55 gal	55 gal	85 gal	85 gal	85 gal
Caster Rig	Zinc plate 4 swivel	Stainless 4 swivel	Stainless 4 swivel	Zinc plate 4 swivel	Stainless 4 swivel	Stainless 4 swivel
3" Caster Wheel	Hard Rubber	Hard Rubber	White Polypropylene	Hard Rubber	Hard Rubber	White Polypropylene
Dolly Material	304 Stainless	304 Stainless	304 Stainless	304 Stainless	304 Stainless	304 Stainless
Weight	22 lbs	22 lbs	21 lbs	24 lbs	24 lbs	23 lbs

WESCO® STAINLESS STEEL KNOCKDOWN (KD) DRUM TRUCKS

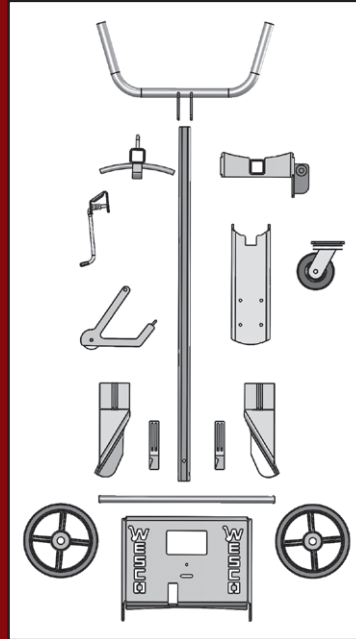
- **PATENT PENDING.**
- **UPSable - KD and boxed.**
- **Two models: 304 stainless construction.**
- **Handles 30, 55 and 85 gallon drums.**
- **Models to handle steel and poly drums.**
- **Requires minimal assembly.**
- **All parts removable and interchangeable among all models.**
- **Each of the models includes handle, frame, base, kickstand, axle, toe or feet, wheel, chime hook or belt and hardware.**
- **Foot operated break-over assist bar provides extra leverage to tilt and balance the load .**
- **Stainless models okay for wash down.**
- **Optional 3rd Wheel:**
 - Allows load to stand in tilted position.
 - Ergonomic design, better maneuverability.
 - Better load support.
 - Helps reduce breakover effort.
 - 5" x 2" swivel caster.
 - #240211 for **stainless** trucks, 14 lbs.
- **Milled toes are hard-faced, double-beveled.**



Part #240019 /
Model #KD-SS-STL-PO
304 Stainless Steel
Shown with optional 3rd wheel



Part #240020 WITH (Part #240211)
OPTIONAL 3RD WHEEL
304 Stainless Steel



OPTIONAL 3RD WHEEL #240211

Part # Model #	240019 KD-SS-STL-PO	240020 KD-SS-POLY-PO
Capacity	1,000 lbs	1,000 lbs
Wheel	10" Polyolefin	10" Polyolefin
Drum Type Handled	Steel	Poly
Toe/Foot (replaceable)	Stainless Milled Toe #051904	Stainless Foot #050362
Construction	304 Stainless	304 Stainless
Chime Hook	#050197- stainless	N/A
Belt	N/A	#240213 - stainless buckl
Weight	66 lbs	75 lbs

For best discounted pricing, order from:
Dick Jones Sales
PO Box 141, Hanover, PA 17331
Phone (800) 441-9955 | Fax (800) 253-4036
dickjones@dickjonessales.com